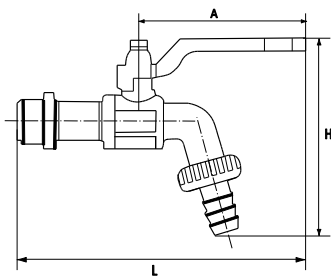


With hose connector.

Material	Nickel-plated brass
Operating temperature	-20 °C to 80 °C
Sealant	NBR
Applications	Water, gaseous and non-corrosive media, compressed air
Thread material	Nickel-plated brass
Standard thread	G thread acc. to ISO 228-1

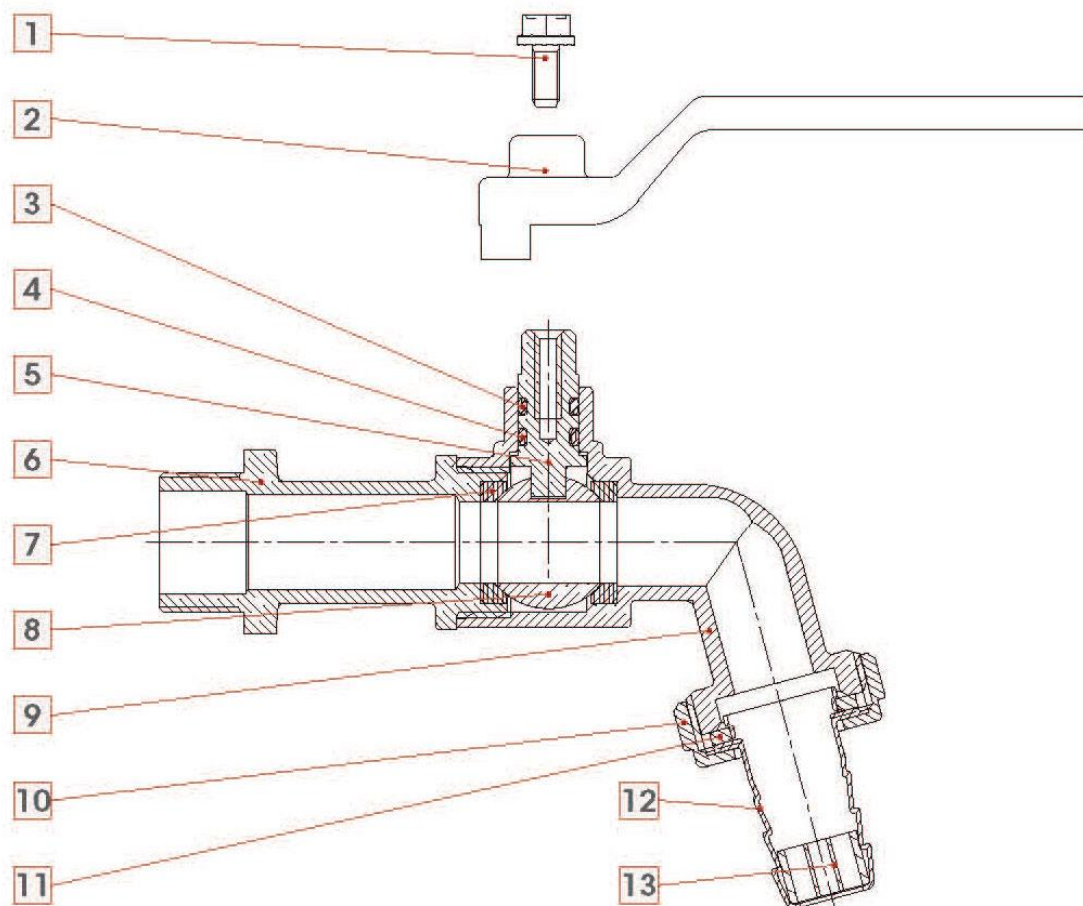


KAH.12

Bibcock nickel-plated brass

Art. No.	Type No.	Connection	Connecting thread stem	for hose I.D. mm	DN	PN bar	L mm	H mm	A mm
103416	KAH.38	G 3/8 ET	G 3/4	I.D. 13	10	15	135.0	93.0	80.0
103417	KAH.12	G 1/2 ET	G 3/4	I.D. 13	15	15	137.0	93.0	80.0
103418	KAH.34	G 3/4 ET	G 1	I.D. 19	20	15	148.5	109.0	88.5
103419	KAH.10	G 1 ET	G 1 1/4	I.D. 25	25	12	158.0	126.0	88.5

→ The recommendation of the hose width I.D. refers to soft hoses



Pos.	DESCRIZIONE / DESCRIPTION	Qt.	MATERIALE / MATERIAL
1	Vite / Screw	1	Acciaio zincato / Zinc-plated steel Fe CB4
2	Maniglia a leva / Lever handle	1	Acciaio zincato e verniciato / Zinc-plated and varnished steel Fe.P04
3	Guarnizione / O-Ring	1	VITON®
4	Guarnizione / O-Ring	1	NBR
5	Asta di manovra / Stem	1	Ottone / Brass CW614N
6	Manicotto / End adapter	1	Ottone nichelato / Nickel-plated brass CW617N
7	Sede / Seat	2	PT.FE.
8	Sfera / Ball	1	Ottone cromato / Chrome-plated brass CW614N
9	Corpo / Body	1	Ottone nichelato / Nickel-plated brass CW617N
10	Girello / Nut	1	Ottone nichelato / Nickel-plated brass CW617N
11	Guarnizione / Washer	1	PVC
12	Codolo / Hose connection	1	Ottone nichelato / Nickel-plated brass CW617N
13	Rompigetto / Hose end	1	Vestolen